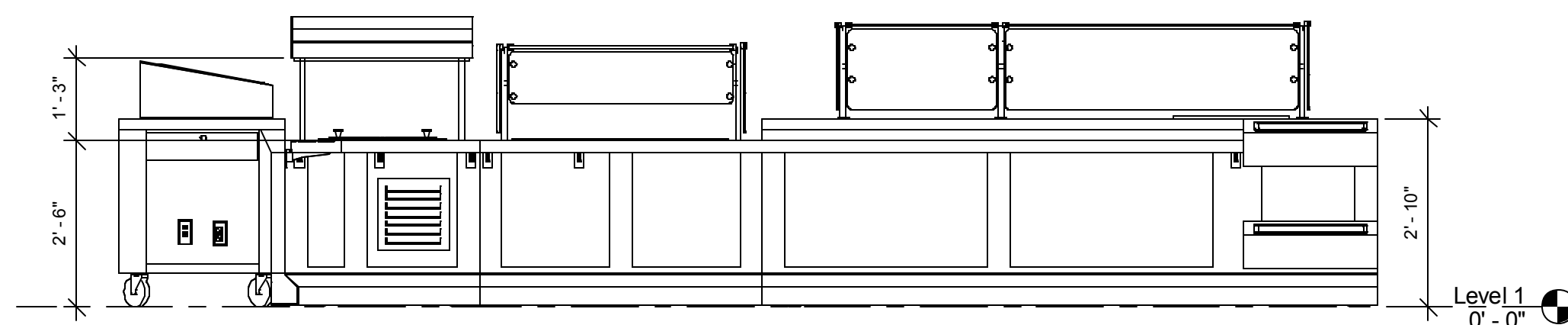
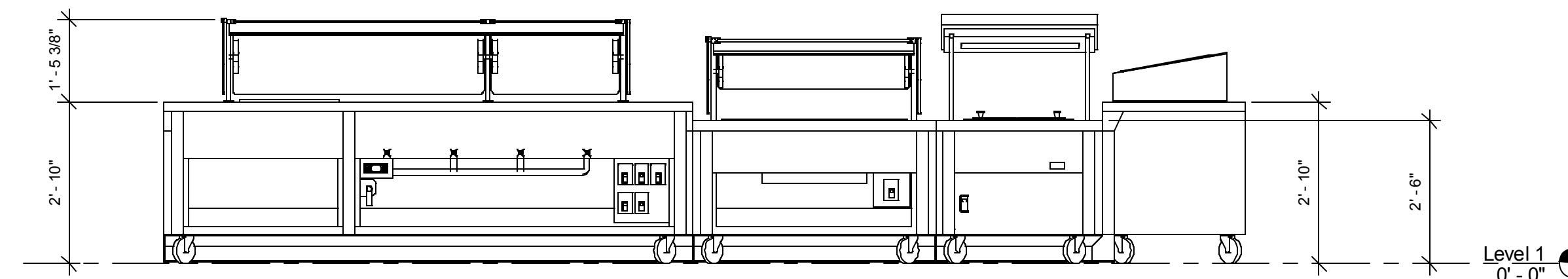


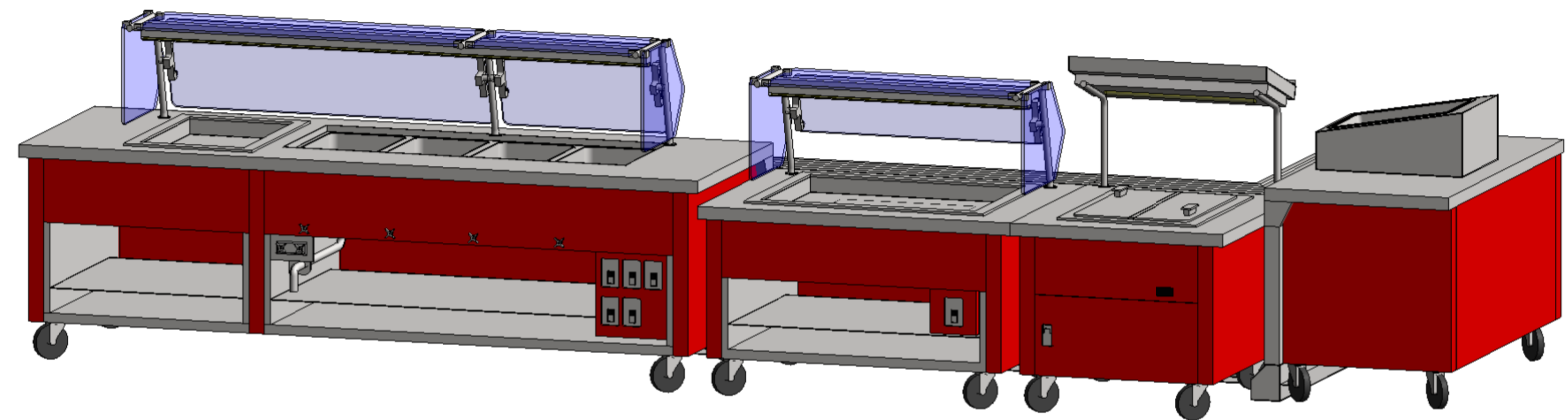
FOODSERVICE EQUIPMENT SCHEDULE									
ITEM	QTY	DESCRIPTION	ELECTRIC						
			VOLTS	CYCLES	PHASE	FL AMPS	CONN. TYPE	CW SIZE	W SIZE
1	1	Custom Unit	120 V	60 Hz	1	16.1 A	NEMA L14-20	3/8"	1"
1A	1	Sneeze Guards - Full Height							
2	1	Hot/Cold Food Sheet Pan - Custom	120 V	60 Hz	1	10.0 A	NEMA 5-15P		1"
2A	1	Sneeze Guards - Half Height							
3	1	Ice Cream Unit - Custom	120 V	60 Hz	1	6.0 A	NEMA 5-15P		1/2"
3A	1	Elite Slanted Snack Rack							
4	1	Cashier Unit - Custom	120 V	60 Hz	1	7.3 A	NEMA 5-15P		
5	1	Tray Slide							
6	2	Tray Slide -45 Degree							
7	1	Pan Housing							
8	2	Bin							



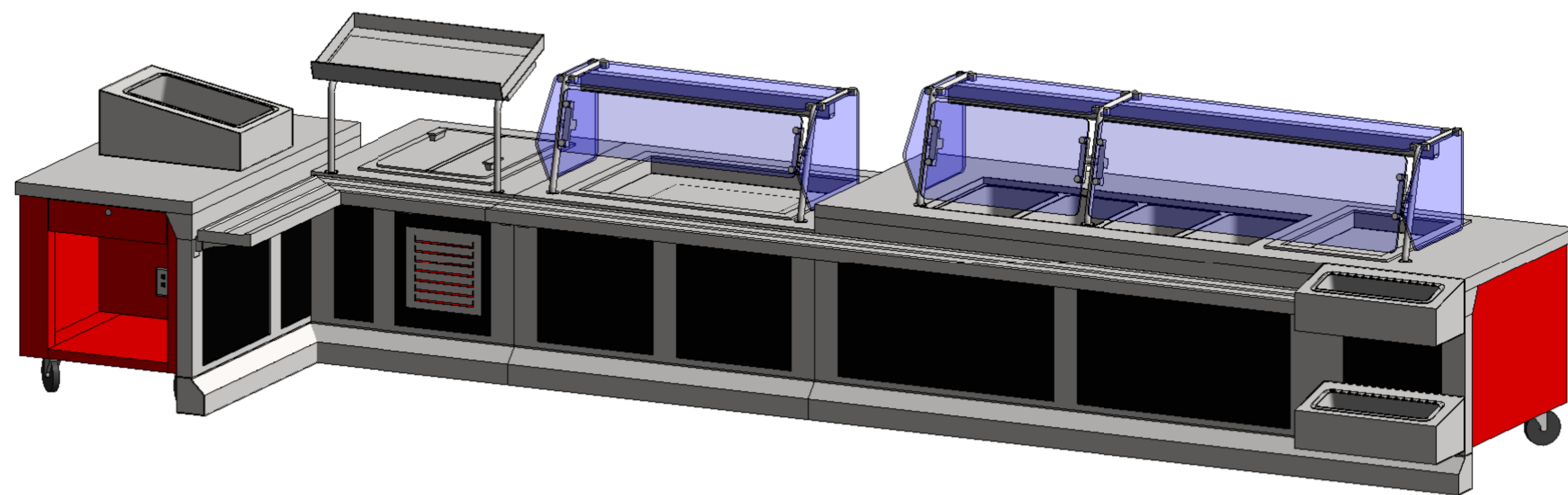
3 Front Elevation
1/2" = 1'-0"



2 Back Elevation
1/2" = 1'-0"



4 3D Rear View



5 3D View Front

FES
Foodservice Equipment Symbols
690 Natures Hammock Rd. W.
Jacksonville, FL 32259

Revisions:

Date Issued: 04/06/2015

Date Approved: No

Drawn by: DEM

Checked by: TD3

Revit Families

Revit Models - Sample Cafeteria Line

Foodservice Equipment Symbols, LLC.

1

Scale: